



MAGNETICS

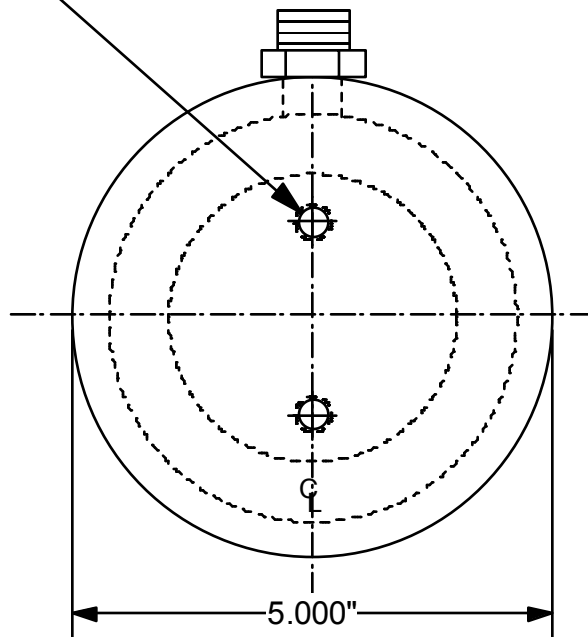
AUTOMATIC EQUIPMENT CORPORATION
4699 INTERSTATE DR. CINCINNATI, OHIO 45246
PHONE: (800) 635-3954 FAX: (800) 635-3955

E-MAIL: aec@aecmagnetics.com ON-LINE: www.aecmagnetics.com

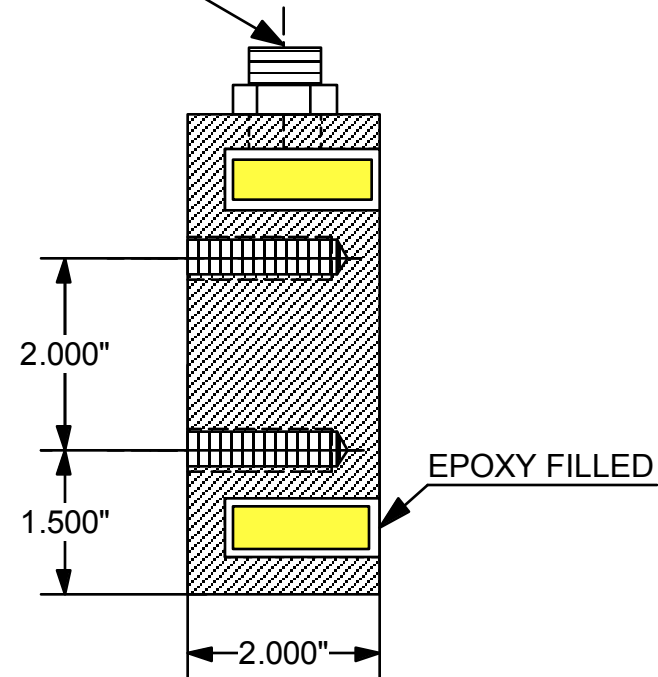
MAGNETIC SPECIALISTS FOR AUTOMATED MANUFACTURING

MODEL #: DCX-500-0006
INPUT VOLTAGE: 110 DC
CURRENT: 35 WATTS
DUTY CYCLE: 100%/ CONTINUOUS
MAX HOLDING CAP. : 1900 LBS
MAX WORKING CAP: 950 LBS
WEIGHT: 9.5 LBS

3/8-16 TAP
1 1/2" DEEP
2 PLACES



S STYLE
QUICK DISCONNECT



NITRIDING OXIDIZING PROTECTION
ON ENTIRE MAGNET BODY TO
PREVENT WEAR AND CORROSION

AUTOMATIC EQUIPMENT CORP.
DCX-500-0006
CUST DWG
11/15/13
H-08850