



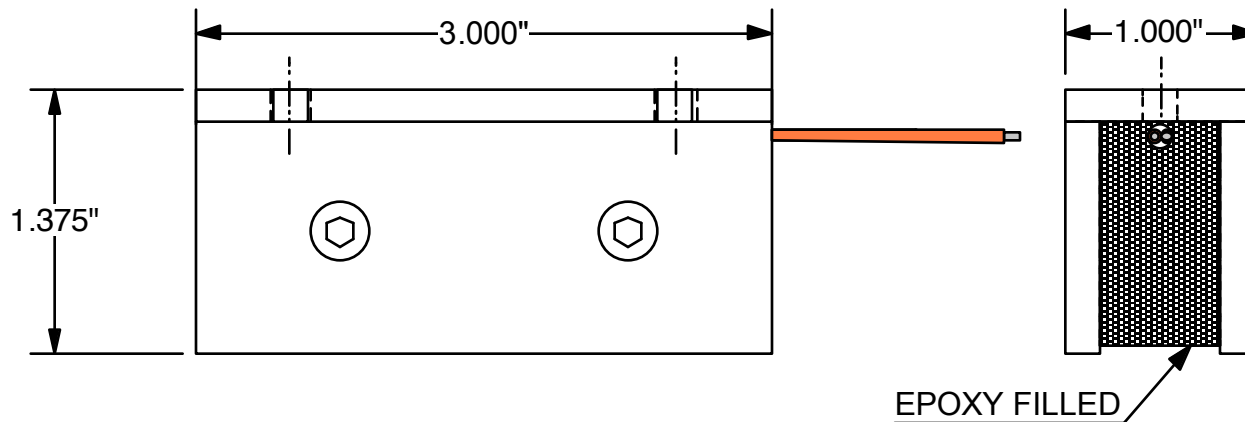
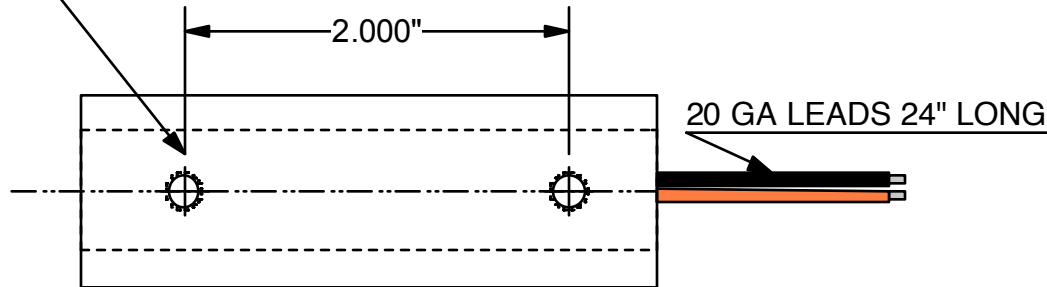
MAGNETICS

AUTOMATIC EQUIPMENT CORPORATION
4699 INTERSTATE DR. CINCINNATI, OHIO 45246
PHONE: (800) 635-3954 FAX: (800) 635-3955

E-MAIL: aec@acmagnetics.com ON-LINE: www.acmagnetics.com

MAGNETIC SPECIALISTS FOR AUTOMATED MANUFACTURING

1/4-20 TAP
5/16" DEEP
2 PLACES



MODEL# BPS-1030-24C
INPUT: 24 VDC
CURRENT: 10.5 WATTS
DUTY CYCLE: CONTINUOUS
HOLDING POWER: 170 LBS

AUTOMATIC EQUIPMENT CORP.
BPS-1030-24C
CUST DWG
SCALE: 1"=1" 04/16/03
H-11895