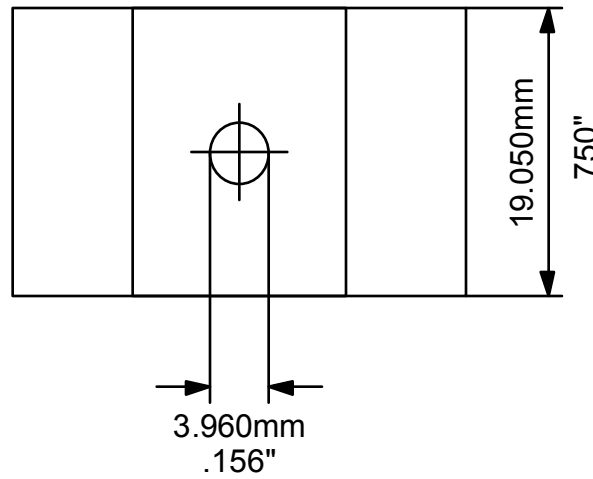
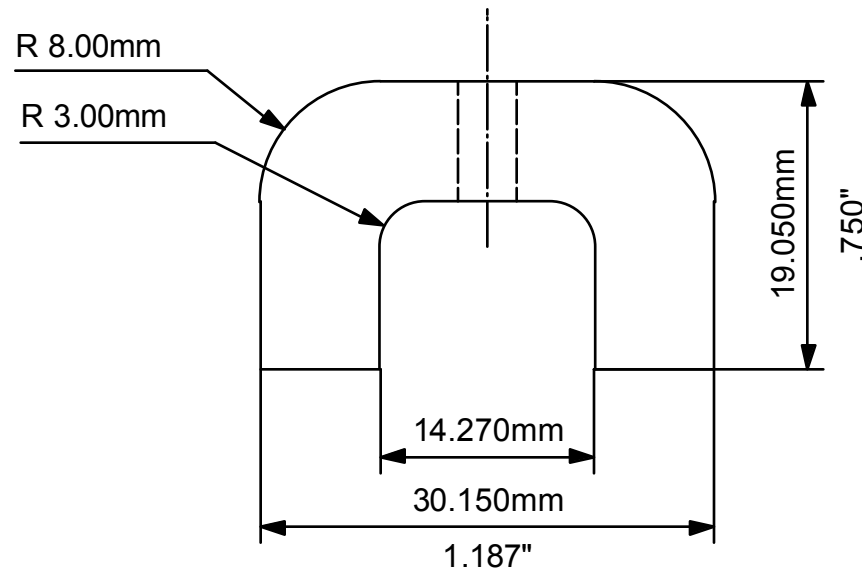


H-12598



MATERIAL: ALNICO V

AUTOMATIC EQUIPMENT CORP.  
E-811  
H-12598  
05/08/13