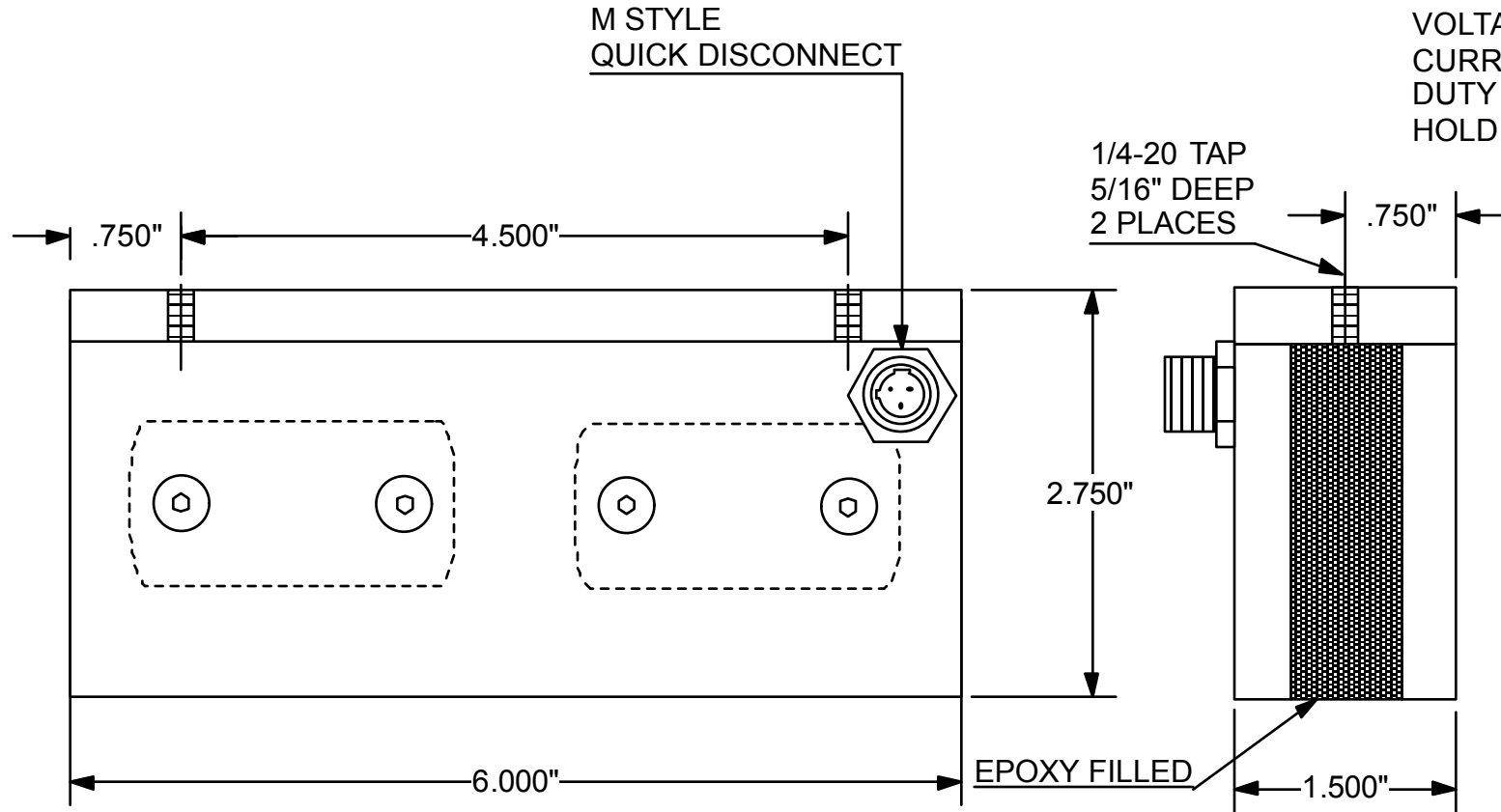


MODEL: BPF-15060M-24C  
 VOLTAGE: 24VDC  
 CURRENT: 36 WATTS  
 DUTY CYCLE: CONTINUOUS  
 HOLDING POWER: 260 LBS



AUTOMATIC EQUIPMENT CORP  
 BPF-15060M-24C  
 CUST DWG  
 11/18/13  
 H-12829