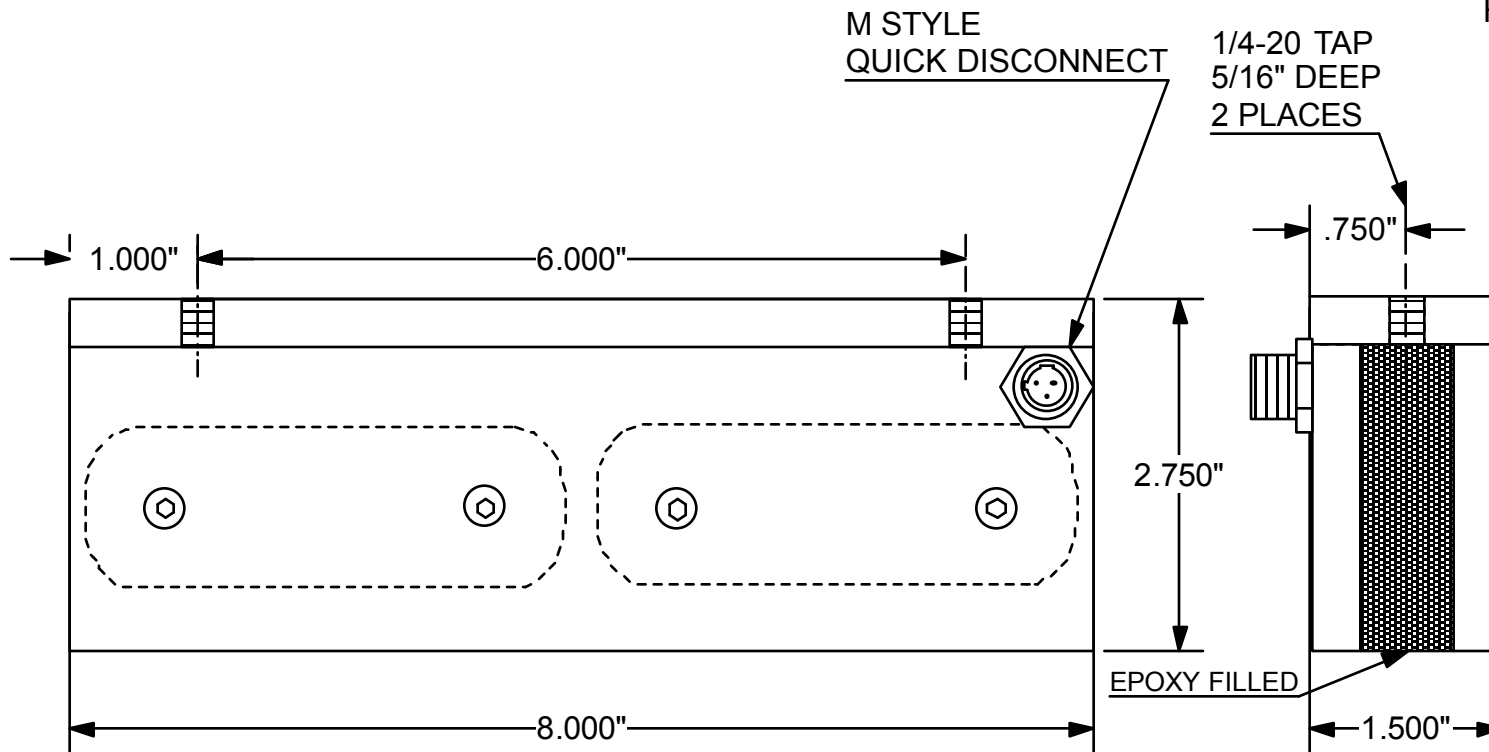


MODEL: BPF-15080M-24C  
 VOLTAGE: 24 VDC  
 CURRENT: 44 WATTS  
 DUTY CYCLE: CONTINUOUS  
 HOLDING POWER: 310 LBS



AUTOMATIC EQUIPMENT CORP.  
 BPF-15080M-24C  
 CUST DWG  
 11/18/13  
 H-12830