

MODEL: CEA-600M-24C
INPUT VOLTAGE: 24VDC
CURRENT: 44 WATTS
HOLDING POWER: 2200 LBS
DUTY CYCLE: CONTINUOUS



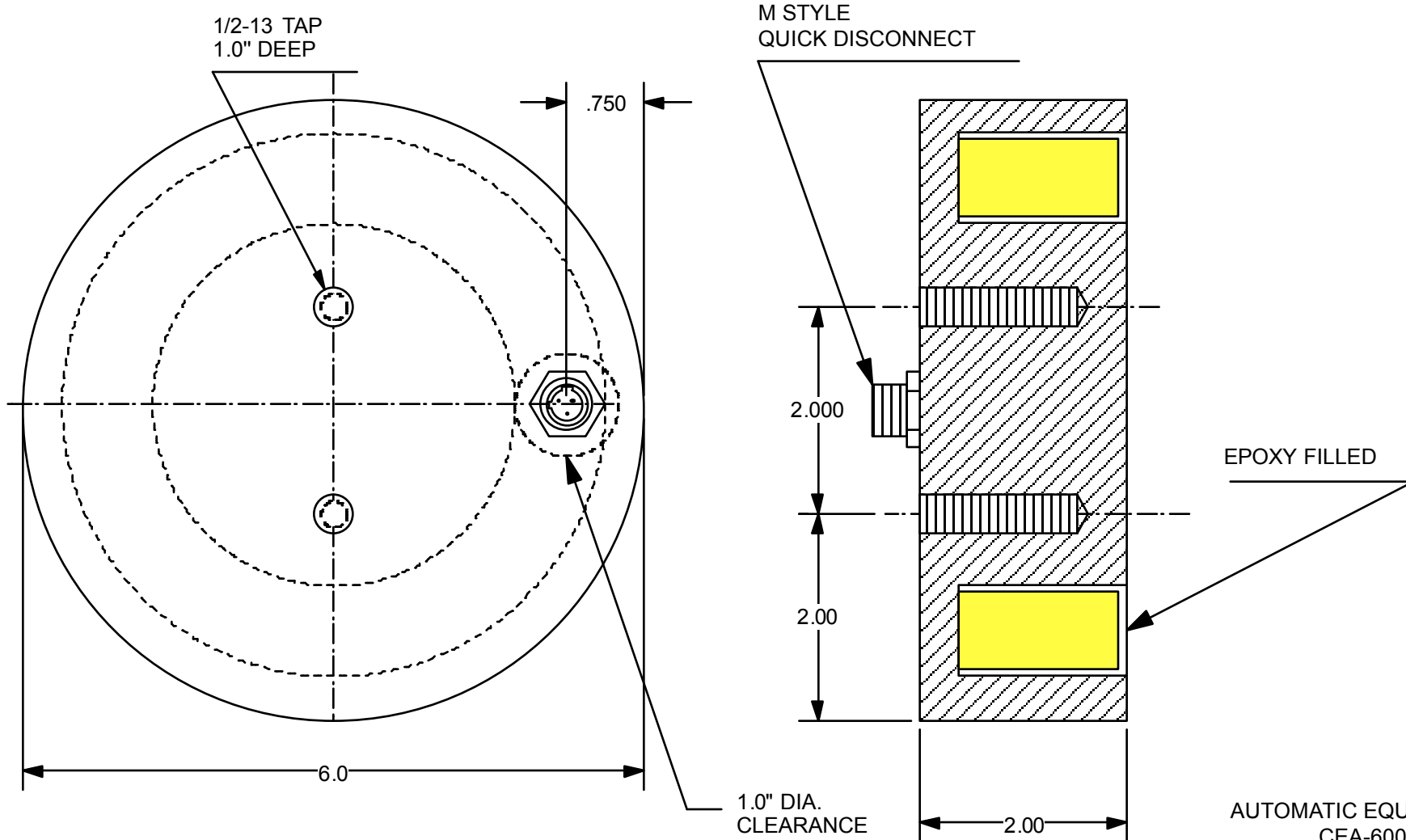
MAGNETICS

AUTOMATIC EQUIPMENT CORPORATION
4699 INTERSTATE DR. CINCINNATI, OHIO 45246

PHONE: (800) 635-3954 FAX: (800) 635-3955

E-MAIL: aec@aecmagnetics.com ON-LINE: www.aecmagnetics.com

MAGNETIC SPECIALISTS FOR AUTOMATED MANUFACTURING



AUTOMATIC EQUIPMENT CORP
CEA-600M-24C
CUST DWG
08/21/13
H-13011