



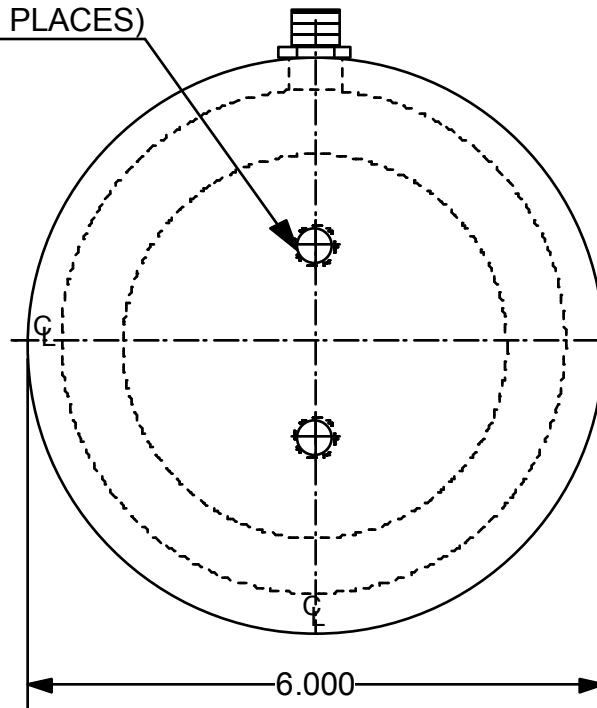
# MAGNETICS

AUTOMATIC EQUIPMENT CORPORATION  
4699 INTERSTATE DR, CINCINNATI, OHIO 45246  
PHONE: (800) 635-3954 FAX: (800) 635-3955

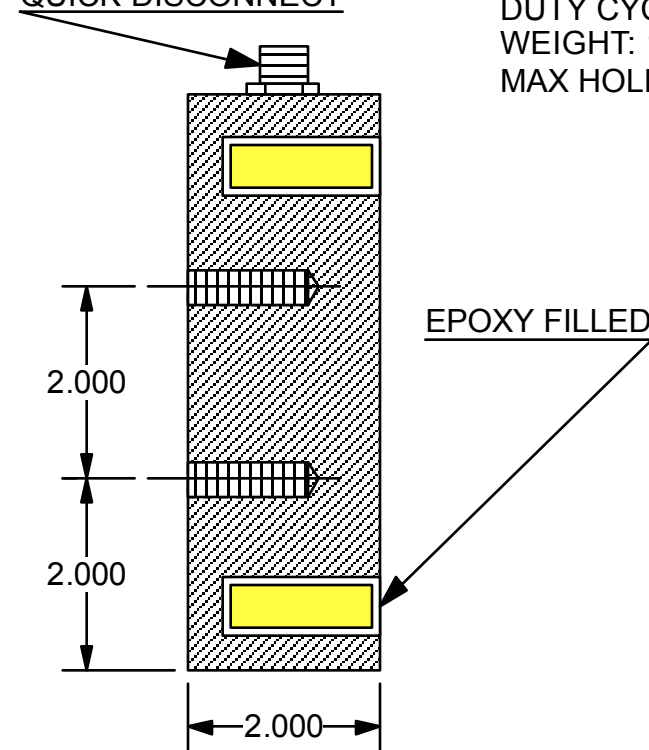
E-MAIL: aec@aecmagnetics.com ON-LINE: www.aecmagnetics.com

**MAGNETIC SPECIALISTS FOR AUTOMATED MANUFACTURING**

1/2-13 TAP  
1.25" DEEP  
(2 PLACES)



M STYLE  
QUICK DISCONNECT



MODEL: DCX-600-0010  
VOLTAGE: 110VDC  
CURRENT: 39 WATTS  
DUTY CYCLE: CONTINUOUS  
WEIGHT: 13 LBS  
MAX HOLD: 2200 LBS

AUTOMATIC EQUIPMENT CORP  
CUST DWG  
DCX-600-0010  
10/21/13  
H-13109