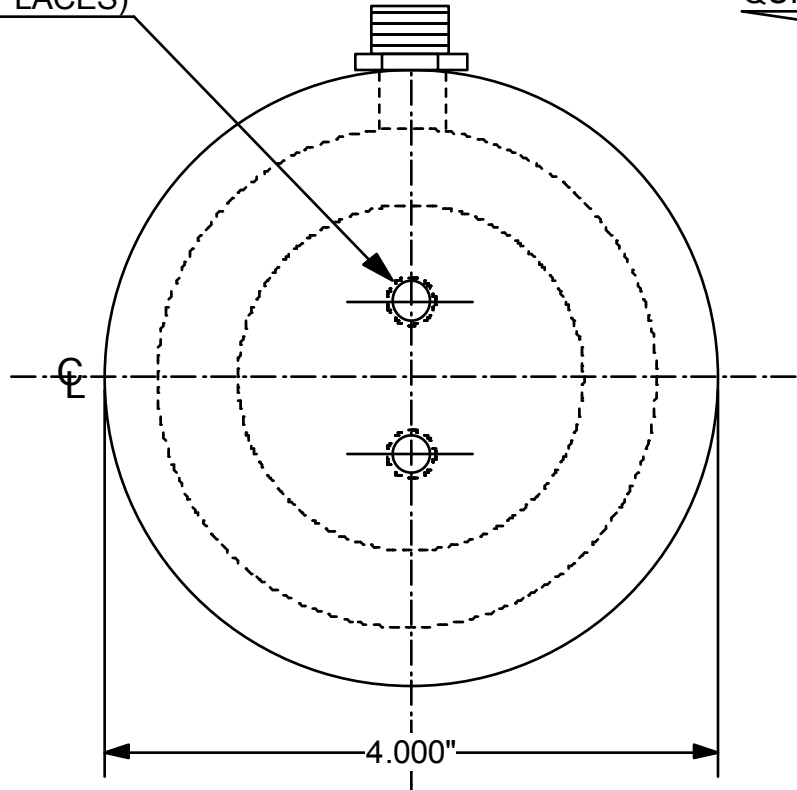
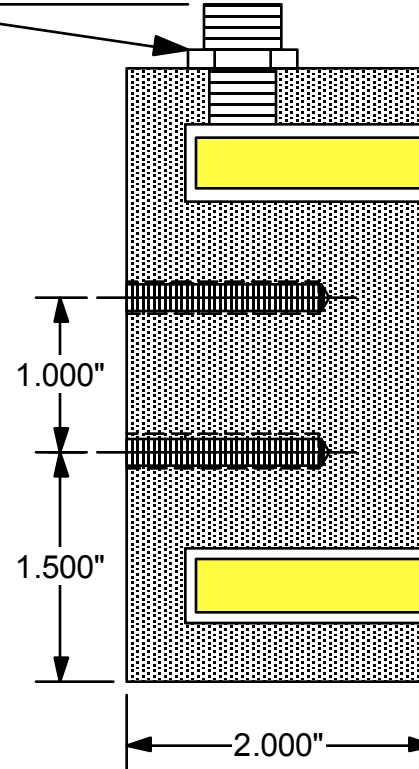


1" DEEP
 5/16-18 TAP
 (2 PLACES)



M STYLE
 QUICK DISCONNECT



MODEL: DCX-400-0006
 VOLTAGE: 110VDC
 CURRENT: 30.3 WATTS
 DUTY CYCLE: CONTINUOUS
 HOLDING POWER: 1000 LBS

EPOXY FILLED

NITRIDING OXIDIZING PROTECTION
 ON ENTIRE MAGNET BODY TO
 PREVENT WEAR AND CORROSION

AUTOMATIC EQUIPMENT CORP.
 DCX-400-0006
 CUST DWG
 01/27/14
 H-13218