

MAGNETIC TOOLS

FLEXIBLE HAND TOOL



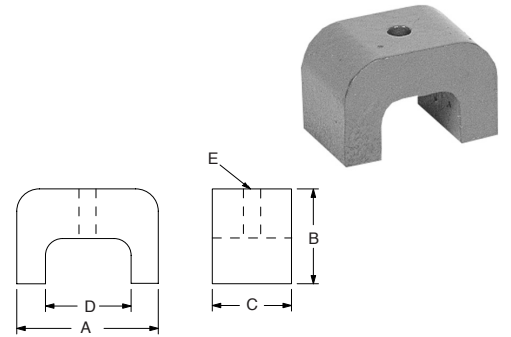
POCKET MAGNETS



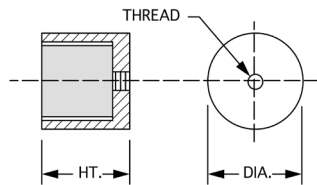
PRODUCT NUMBER	DIA.	LENGTH	LIFT POWER
PM-50	0.5	2.3	5 lbs.
PM-60	0.75	2.6	7 lbs.
FM-504	0.5	20.0	5 lbs.

ECLIPSE ALNICO HORSESHOE MAGNET

PRODUCT NUMBER	A	B	C	D	E	POWER (LBS)
E-811	1.187	0.750	0.750	0.562	.156	10
E-812	1.562	1.000	1.000	0.750	.187	18
E-813	1.750	1.187	1.187	0.875	.187	23
E-814	2.250	1.375	1.750	1.375	.312	51
E-816	3.125	2.125	3.250	1.875	.375	104



POT MAGNETS



PRODUCT NUMBER	DIA.	LENGTH	HEIGHT	POWER (LBS)
E-831	0.687	0.625	10-32	6
E-832	0.812	0.750	10-32	9
E-833	1.062	1.000	10-32	15
E-834	1.375	1.875	10-32	44

ALNICO V BUTTON MAGNETS

PRODUCT NUMBER	DIA.	HT.	MOUNTING HOLE	POWER (LBS)
E-821	0.500	0.375	.172	2
E-822	0.750	0.500	.187	4
E-823	1.000	0.625	.187	8
E-824	1.250	1.000	.281	11

